

# Model RD-4

## Remote Programmable Display



*The RD-4 Remote Display uses RS232 communication to repeat what is displayed on a new INCON Model 1250B Panel Meter.*

### APPLICATIONS

The Model RD-4 is used anywhere a four-segment, remote display is needed to repeat the display of a new INCON Model 1250B panel meter that has a serial output option. Because the RD-4 is programmed to display in one, two, or three different colors (Red, Green, or Amber), it can be used whenever a color differentiated display would enhance operations.

The color change feature is especially useful as visual indication when hi or low limits or alarms are reached and when a device reading is within normal parameters. Personnel are graphically aware of system conditions when a color-coded, alarm-limit scheme is used.

- Repeats a display readout at remote locations in a color-coded scheme
- Programmable Color Display (Green, Amber, or Red)
- Several RS-4 units can be fed from the same RS232 signal

### CAPABILITIES

The RD-4 has large 0.83 inch (2.1 cm) segments that are clearly visible from a distance and at wide angles. The unit uses two wires to receive the serial communications from a remote location.

- Serial connections can be made to either the RJ-11 jack, or to the screw terminals
- Easily programmed through the buttons on the front panel
- The display can be programmed to change color at two predetermined setpoint values

*For example, the RD-4 can be programmed to display values in RED, GREEN, or AMBER during normal operation, high alarm conditions, and low alarm conditions. Therefore, personnel can react quickly to changing conditions that are highlighted by the color coded display.*

- The colors can be programmed either to change back when the value drops back below the alarm setpoint, or to “latch” on until reset by the personnel

### BENEFITS

- ▶ Allows display of data to remote locations up to 1000 feet away
- ▶ Easy mounting (1/8 DIN Panel Cutout or Surface Mount)
- ▶ Large, bright display is visible from a long distance (0.83 inches, 2.1 cm tall)
- ▶ Limits/Alarms and Normal operation quickly identified by 3 different colors (programming required)
- ▶ For use with INCON Model 1250B with Serial Numbers above 75000

# SPECIFICATIONS

## GENERAL

### Environmental:

Relative Humidity	0 to 85%
Operating Temperature	32 to 122 °F (0 to 50 °C)
Protection	NEMA-4x (IP65)
Storage Temperature:	-4 to 185 °F (-20 to +85 °C)

### Mechanical:

Dimensions	3.78 (9.6 cm) x 1.89 (4.8 cm) x 1.6 (3.9 cm)
Panel Cutout	3.622 (9.2 cm) x 1.772 (4.5 cm)
Mounting	1/8 DIN Panel Cutout or Surface Mount

### Display:

Four, 0.83 (2.1 cm) LED's and Alarm Indicators

Colors Amber, Green, or Red (programmable)

### Electrical:

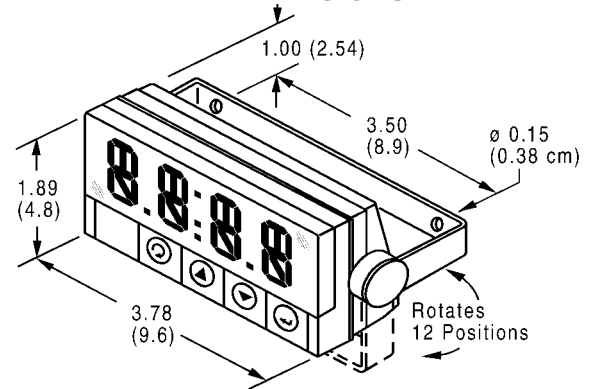
Power Requirements	10 to 36 VDC (12 VDC/200ma AC adapter supplied)
Power Consumption	2 Watts

### Communication (menu selection – programmable):

Serial	ASCII Interface RS-232/RS-485
Baud rate	300, 600, 1200, 2400, 4800, 9600, 19200
Data Formats	7O1 - 7 data / odd parity / 1 stop, 7E1 - 7 data / even parity / 1 stop, 8N1 - 8 data / no parity / 1 stop

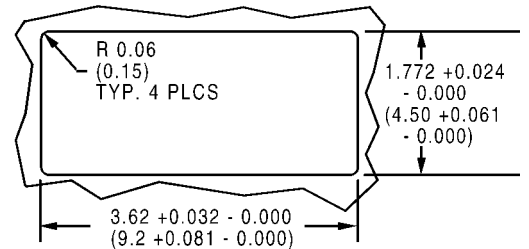
CE Approvals per: EN50081-1, EN50082-2, and EN61010-1

## RD4 DIMENSIONS

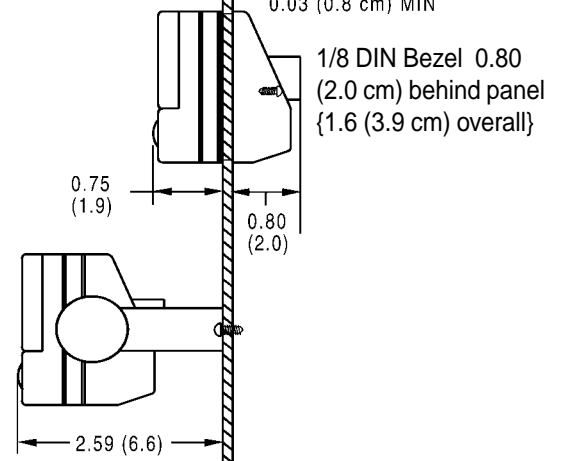


Allow 4.70 (11.9 cm) x 2.5 (6.4 cm) space for each RD unit

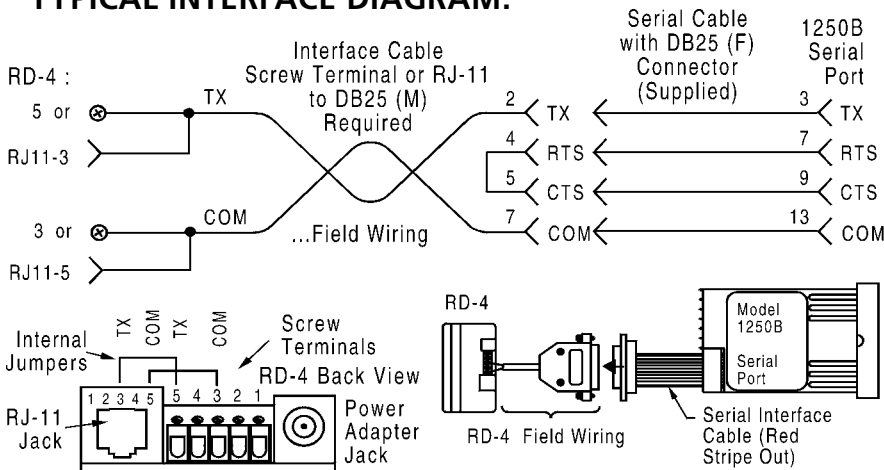
## RD4 MOUNTING



PANEL THICKNESS: 0.25 (6.4 cm) MAX  
0.03 (0.8 cm) MIN



## TYPICAL INTERFACE DIAGRAM:



## ORDERING INFORMATION

Model RD-4

Model 1250B Panel Meter, with Serial Communications Option, is also required



FOR MORE INFORMATION CALL:

**800-872-3455**

Or Visit: [www.intelcon.com](http://www.intelcon.com)

74 Industrial Park Road, PO Box 638, Saco, ME 04072  
Phone: 207-283-0156 Fax: 207-283-0158  
email: [sales@intelcon.com](mailto:sales@intelcon.com)



INCON® is a registered trademark of Intelligent Controls, Inc.