

1250-SEV: Remote Up & Down Buttons

The model 1250-SEV is equipped with special firmware and hardware to facilitate remote change of the displayed value, up or down, during normal RUN mode. This document describes the wiring and use of remote UP and DOWN buttons. Refer to the 1250 Installation and Programming Manual (000-1077) for all other wiring and programming.

Wiring:

Remote switches can be wired to Field Wiring Terminals #8, #9 and #10. Internally, these terminals are wired in parallel to the UP and DOWN buttons on the front panel. Figure 1 shows field wiring to remote switches. Terminal #9 is a common ground. When Terminal #8 is grounded, it is the same as pressing the DOWN button on the front panel. When Terminal #10 is grounded, it is the same as pressing the UP button on the front panel.

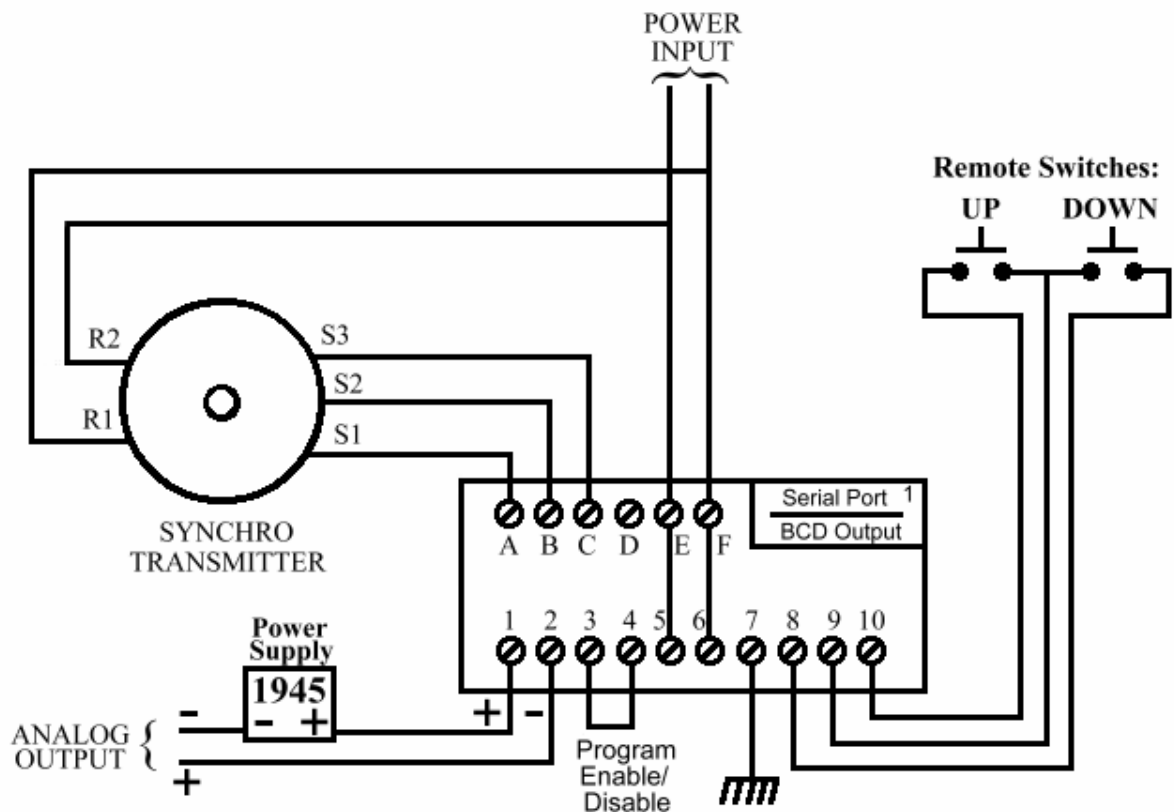


Figure 1 Field Wiring

Function:

When the 1250-SEV is programmed for either Linear or Non-Linear Scaled Modes (OP 2 = "1" or "2"), during normal RUN mode, the (remote or front panel) UP or DOWN button may be pressed to cause a change in the displayed value.

Pressing the UP or DOWN button ONCE will cause the least significant digit on the display to increment ONCE up or down accordingly. Note that there may be a slight time lag from the moment the button is pressed, to the time the displayed value actually changes. This is normal. The display updates once every half-second.

If a larger change is required, the UP or DOWN button may be pressed and held for a period of time. After one second, the displayed value will begin scrolling faster. After holding the button for six seconds, the displayed value will begin scrolling even faster. Scrolling will stop instantly when the UP or DOWN button is released.

If a larger change is required, instead of waiting for the scrolling to speed up on its own, there is another method of causing faster scrolling. While the UP or DOWN button is being held, press the MENU button on the front panel momentarily. Each time the MENU button is pressed the displayed value will begin scrolling faster. Scrolling will stop instantly when the UP or DOWN button is released.

All output signals, analog and digital, are driven by the displayed value. Therefore, as the displayed value is changed, the output signals will respond accordingly.

(Note: The Relay Option is not available on the model 1250-SEV. The field wiring terminals used for the Relay Option are being used to connect the remote switches.)